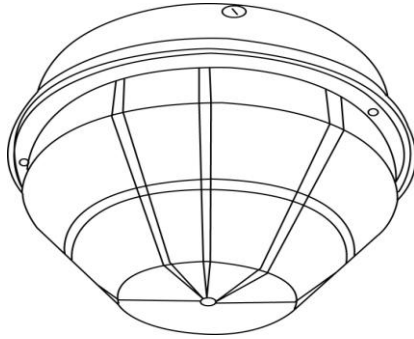


SPECIFICATIONS



769 Series

P.O. Box 2083
Sanford, FL 32772

5481 Bryant Ave South
Sanford, FL 32773

Phone 800.393.5630
Fax 800.203.5698

www.ilighting.com
sales@inconlighting.com

Standard Specifications

Housing	Heavy Duty Diecast
Lens	Molded Clear Polycarbonate
Finish	Bronze Powder Coat Standard, Optional Finishes Below
Ballast	(iii) 120-277Volt 50/60Hz HPF Electronic Class P (iv) 120Volt-60Hz HPF Reactor Magnetic (v) 120,208,220,277Volt-60Hz HPF Reactor Magnetic (vi) 120,208,220,277Volt-60Hz HPF CWA Magnetic
Lamp(s)	Lamp(s) Included
UL Label	Wet Location

Custom Option Specifications

27K	2700K Lamp(s) CFL's only
35K	3500K Lamp(s) CFL's only
41K	4100K Lamp(s) CFL's only
DIM	Dimming Ballast CFL's only*
EMB1	Emergency Battery Backup CFL's only*
ES	EnergyStar CFL's only*
PE	Photo Cell (120volt only)
PE2	Photo Cell (208-277volt only)

Replacement Parts

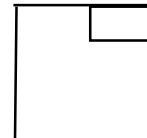
Lens-7699 | Replacement Clear Prismatic Polycarbonate lens
76993B

Height: 15.0"

Width: 15.0"

Depth: 11.25"

Ceiling Mount



Product Family	Lens Type	Finish	Wattage	Options
769				
	9- Clear Prismatic Polycarbonate	1-White 3- Brushed Rust 3B-Bronze 4-Brushed Verde 5- Black 7- Ultra Chrome 8- Gold Pewter 9-Aged Brass	26QE-(1)26 Quad (iii) 52QE-(2)26 Quad (ii) 42TT -(1) 42 triple tube (iii) 84TT -(2) 42 triple tube (iii) 70H -(1) 70 watt HPS (med base) (iv) 100H -(1) 100 watt HPS (med base) (iv) 150H -(1) 150 watt HPS (med base) (iv) 70M-(1) 70 watt MH (med base) (v) 100M -(1) 100 watt MH (med base) (v) 150M -(1) 150 watt MH (mog base) (v) 175M -(1) 175 watt MH (mog base) (vi)	

* Not available in all wattages, please call factory