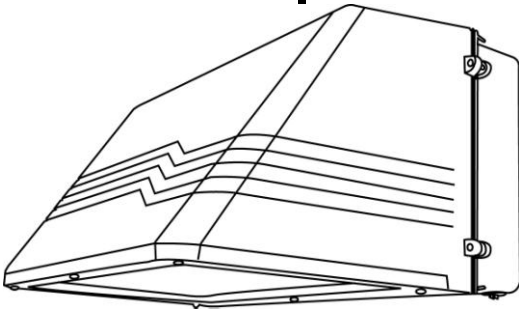


SPECIFICATIONS



742 Series

P.O. Box 2083
 Sanford, FL 32772

5481 Bryant Ave South
 Sanford, FL 32773

Phone 800.393.5630
 Fax 800.203.5698

www.ilighting.com
 sales@inconlighting.com

7429

Height 9.125"
 Width 18.25"
 Depth 17.125"

Standard Specifications

- Housing** | Heavy Duty Diecast
- Lens** | Tempered Clear Glass
- Finish** | Bronze Chromate Conversion Coating
- Ballast** | (iii) 120-277Volt 50/60Hz HPF Electronic Class P
 (iv) 120Volt-60Hz HPF Reactor Magnetic
 (v) 120,208,220,277Volt-60Hz HPF Reactor Magnetic
 (vi) 120,208,220,277Volt-60Hz HPF CWA Magnetic
- Lamp(s)** | Lamp(s) Included
- UL Label** | Wet Location

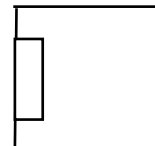
Custom Option Specifications

- 27K** | 27K Warm White Lamp(s) CFL's only
- 35K** | 35K Day Light Lamp(s) CFL's only
- 41K** | 41K Cool White Lamp(s) CFL's only
- CX** | Cust Wattage (Call Factory)
- PE** | Photo Cell (120volt only)
- PE2** | Photo Cell (208-277volt only)
- WG** | Wire Guard
- VS** | Vandal Shield

Replacement Parts

Lens-7429 | Replacement Clear Prismatic Glass Lens

Wall Mount



Product Family	Lens Type	Finish	Wattage	Options
742	9- Clear Prismatic Glass	3B- Bronze 5- Black	70TT - (1) 70 watt triple tube (iii) 140TT - (2) 70 watt triple tube (iii) 175M - (1) 175 watt MH (mogul base) (vi) 250H - (1) 250 watt HPS (mogul base) (vi) 250M - (1) 250 watt MH (mogul base) (vi) 400H - (1) 400 watt HPS (mogul base) (vi) 400M - (1) 400 watt MH (mogul base) (vi)	