

# 191 SERIES



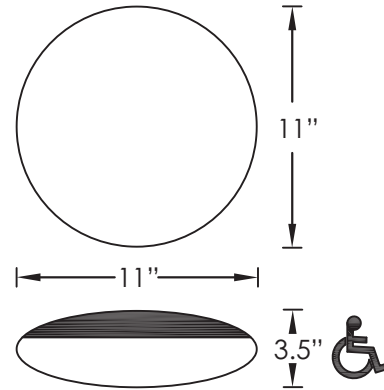
19111 | WHITE



19115 | BLACK

## STANDARD SPECIFICATIONS

<b>Housing</b>	High Impact Polycarbonate (Specify Finish)
<b>Lens</b>	Impact Resistant Polycarbonate
<b>Ballast</b>	(i) 120V 60Hz Magnetic NPF (ii) 120V 60Hz Electronic NPF (iii) 120/277V 50/60Hz Electronic HPF <b>Fluorescent Cold Weather Start (-30°C)</b>
<b>Lamp(s)</b>	Lamp(s) Included
<b>Certificatio</b>	Damp Location Wet Location (Optional for outdoor use)
<b>Mounting</b>	Wall or Ceiling Mountable



## REPLACEMENT PARTS

**LENS-1911** | White Impact Resistant Polycarbonate Lens

PRODUCT FAMILY	LENS TYPE	FINISH	WATTAGE	OPTIONS*
191	1			
	1 - White	1 - White  5 - Black 	<b>9</b> - (1)9W G23 (i) <b>13</b> - (1)13W GX23 (i) <b>13QE</b> - (1)13W G24Q-1 (ii) <b>18</b> - (2)9W G23 (i) <b>18QE</b> - (1)18W G24Q-2 (ii) <b>26</b> - (2)13W GX23 (i) <b>26QE</b> - (1)26W G24Q-3 (iii)	ALLK 277 B2 HB NL PL SL WET ALLK 277 B2 FF HB NL PL SL WET ALLK 277 ADV DIM ES HB NL PL SB SL ULT WET ALLK 277 B2 HB NL PL SL WET ALLK 277 ADV DIM ES HB NL PL SB SL ULT WET ALLK B2 FF HB NL PL SL WET ALLK ADV DIM ES NL PL SB SL ULT WET

### OPTION LEGEND

<b>27K</b>	2700 Kelvin Warm White Light Temperature
<b>30K</b>	3000 Kelvin Warm White Light Temperature
<b>35K</b>	3500 Kelvin Medium White Light Temperature
<b>41K</b>	4100 Kelvin Cool White Light Temperature
<b>50K</b>	5000 Kelvin Full Spectrum Light Temperature
<b>65K</b>	6500 Kelvin Daylight Color Temperature
<b>ALLK</b>	Wattage comes in all kelvin above, choose one.
<b>277</b>	277 Volt Ballast
<b>ADV</b>	Philips Advance Ballast
<b>B2</b>	Remote Battery Backup
<b>DIM</b>	Dimming Electronic Ballast
<b>ES</b>	EnergyStar Rated
<b>FF</b>	Flicker Free (12W 27K GX23 Lamps Only)
<b>HB</b>	High Power Factor
<b>NL</b>	No Lamp
<b>PL</b>	Philips Lamp
<b>SB</b>	Sylvania Ballast
<b>SL</b>	Sylvania Lamp
<b>ULT</b>	ULT Universal Ballast
<b>WET</b>	Wet Location UL Listed

\* May not be available in all wattages or combinations, please call factory. † Additional lead time may apply.