

181 SERIES



18111 | WHITE

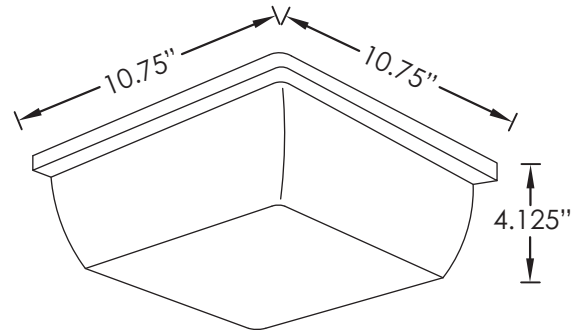


18191 | CLEAR



STANDARD SPECIFICATIONS

Housing	White Steel Pan
Lens	Acrylic or Polycarbonate (specify)
Ballast	(i) 120V 60Hz Magnetic NPF (ii) 120V 60Hz Electronic NPF (iii) 120/277V 50/60Hz Electronic HPF Fluorescent Cold Weather Start (-30°C)
Lamp(s)	Lamp(s) Included
Certificatio	Damp Location
Mounting	Ceiling or Wall Mountable



REPLACEMENT PARTS

LENS-1811	White Acrylic Lens
LENS-1819	Clear Prismatic Acrylic Lens
LENS-1819LX	Clear Prismatic Polycarbonate Lens

PRODUCT FAMILY	LENS TYPE	FINISH	WATTAGE	OPTIONS*
181		1		
	<p>1 - White</p> <p>9 - Clear Prismatic Acrylic</p> <p>9LX - Clear Prismatic Polycarbonate</p>	<p>1 - White</p>	<p>9 - (1)9W G23 (i) ALLK 277 B2 HB NL PL SL</p> <p>13 - (1)13W GX23 (i) ALLK 277 B2 FF HB NL PL SL</p> <p>13GU - (1)13W GU-24 (ii) ALLK ES NL</p> <p>13QE - (1)13W G24Q-1 (ii) ALLK 277 ADV B2 DIM HB NL PL SB SL ULT</p> <p>18 - (2)9W G23 (i) ALLK 277 B2 HB NL PL SL</p> <p>18GU - (1)18W GU-24 (ii) ALLK ES NL</p> <p>18QE - (1)18W G24Q-2 (ii) ALLK 277 ADV B2 DIM HB NL PL SB SL ULT</p> <p>26 - (2)13W GX23 (i) ALLK B2 FF HB NL PL SL</p> <p>26GU - (1)26W GU-24 (ii) ALLK ES NL</p> <p>26QE - (1)26W G24Q-3 (iii) ALLK B2 ES NL PL SL</p> <p>36QE - (2)18W G24Q-2 (ii) ALLK 277 ADV B2 DIM HB NL PL SB SL ULT</p> <p>213QE - (2)13W G24Q-1 (ii) ALLK 277 ADV B2 DIM HB NL PL SB SL ULT</p>	

OPTION LEGEND

27K	2700 Kelvin Warm White Light Temperature
30K	3000 Kelvin Warm White Light Temperature
35K	3500 Kelvin Medium White Light Temperature
41K	4100 Kelvin Cool White Light Temperature
50K	5000 Kelvin Full Spectrum Light Temperature
65K	6500 Kelvin Daylight Color Temperature
ALLK	Wattage comes in all kelvin above, choose one.
277	277 Volt Ballast
ADV	Philips Advance Ballast
DIM	Dimming Electronic Ballast
B2	Remote Battery Backup
ES	EnergyStar Rated
FF	Flicker Free (13W 27K GX23 Lamps Only)
HB	High Power Factor
NL	No Lamp
PL	Philips Lamp
SB	Sylvania Ballast
SL	Sylvania Lamp
ULT	ULT Universal Ballast

* May not be available in all wattages or combinations, please call factory. † Additional lead time may apply.