

160 SERIES



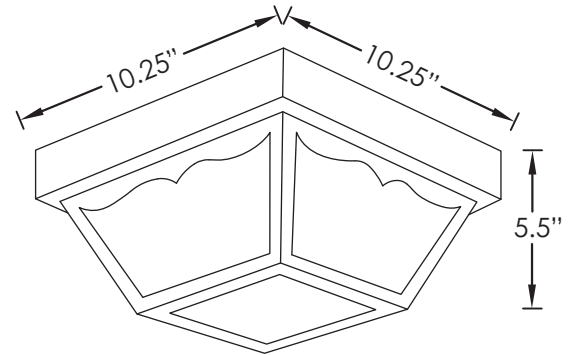
16061 | WHITE



16065 | BLACK

**STANDARD SPECIFICATIONS**

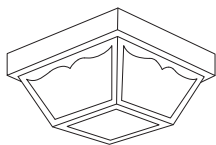
<b>Base</b>	Galvanized Steel
<b>Frame</b>	Molded Durable UV Resistant Plastic
<b>Lens</b>	UV Stabilized Acrylic
<b>Ballast</b>	(i) 120V 60Hz Magnetic NPF (ii) 120V 60Hz Electronic NPF (d) Lamp Directly Wired To Fixture
<b>Lamp(s)</b>	Lamp(s) Included (CFL & LED Only)
<b>Certification</b>	Damp Location
<b>Mounting</b>	Ceiling Mountable



**REPLACEMENT PARTS**

LENS-1606 | 1 PC Acrylic Lens

<b>PRODUCT FAMILY</b>	<b>LENS TYPE</b>	<b>FINISH</b>	<b>WATTAGE</b>	<b>OPTIONS*</b>
160	6	1 - White	9 - (1)9W G23 (i)	ALLK B2 HB NL PE PL SL



6 - Frosted

1 - White

5 - Black

<p>13 - (1)13W GX23 (i) ALLK B2 FF HB NL PE PL SL</p> <p>13GU - (1)13W GU-24 (ii) ALLK ES NL PE</p> <p>13QE - (1)13W G24Q-1 (ii) ALLK B2 ES NL PE PL SL</p> <p>18 - (2)9W G23 (i) ALLK B2 ES NL PE PL SL</p> <p>18GU - (1)18W GU-24 (ii) ALLK ES NL PE</p> <p>18LED - (1)18.2W 1800lm (d) PE</p> <p>18QE - (1)18W G24Q-2 (ii) ALLK B2 ES NL PE PL SL</p> <p>26 - (2)13W GX23 (i) ALLK B2 FF HB NL PE PL SL</p> <p>26GU - (1)26W GU-24 (ii) ALLK ES NL PE</p> <p>26QE - (1)26W G24Q-3 (ii) ALLK B2 ES NL PE PL SL</p> <p>32TT - (1)32W GX24Q-3 (ii) ALLK B2 ES NL PE PL SL</p> <p>36QE - (2)18W G24Q-2 (ii) ALLK B2 ES NL PE PL SL</p> <p>52QE - (2)26W G24Q-3 (ii) ALLK B2 ES NL PE PL SL</p> <p>64TT - (2)32W GX24Q-3 (ii) ALLK B2 ES NL PE PL SL</p> <p>213GU - (2)13W GU-24 (ii) ALLK ES NL PE</p> <p>213QE - (2)13W G24Q-1 (ii) ALLK B2 ES NL PE PL SL</p> <p>218GU - (2)18W GU-24 (ii) ALLK ES NL PE</p> <p>INC - (2) Incandescent 60W Max E26 @ PE</p>	<p>27K   2700 Kelvin Warm White Light Temperature</p> <p>30K   3000 Kelvin Warm White Light Temperature</p> <p>35K   3500 Kelvin Medium White Light Temperature</p> <p>41K   4100 Kelvin Cool White Light Temperature</p> <p>50K   5000 Kelvin Full Spectrum Light Temperature</p> <p>65K   6500 Kelvin Daylight Color Temperature</p> <p>ALLK   Wattage comes in all kelvin above, choose one.</p> <p>277   277 Volt Ballast</p> <p>B2   Remote Battery Backup</p> <p>ES   EnergyStar Rated</p> <p>FF   Flicker Free (13W 27K GX23 Lamps Only)</p> <p>HB   High Power Factor</p> <p>NL   No Lamp</p> <p>PE   Photocell (120 Volt Only)</p> <p>PL   Philips Lamp</p> <p>SL   Sylvania Lamp</p>
--	--

**OPTION LEGEND**

<b>27K</b>	2700 Kelvin Warm White Light Temperature
<b>30K</b>	3000 Kelvin Warm White Light Temperature
<b>35K</b>	3500 Kelvin Medium White Light Temperature
<b>41K</b>	4100 Kelvin Cool White Light Temperature
<b>50K</b>	5000 Kelvin Full Spectrum Light Temperature
<b>65K</b>	6500 Kelvin Daylight Color Temperature
<b>ALLK</b>	Wattage comes in all kelvin above, choose one.
<b>277</b>	277 Volt Ballast
<b>B2</b>	Remote Battery Backup
<b>ES</b>	EnergyStar Rated
<b>FF</b>	Flicker Free (13W 27K GX23 Lamps Only)
<b>HB</b>	High Power Factor
<b>NL</b>	No Lamp
<b>PE</b>	Photocell (120 Volt Only)
<b>PL</b>	Philips Lamp
<b>SL</b>	Sylvania Lamp

\* May not be available in all wattages or combinations, please call factory. † Additional lead time may apply.